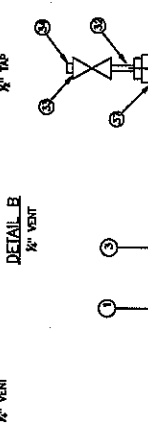
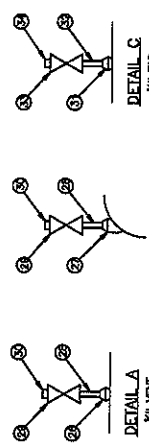


BILL OF MATERIAL FOR PSMS-014

| ITEM | QTY | DESCRIPTION |
|------|-----|--|
| 1 | 1 | 4" RIS. STEEL 0.2374 GRADE B, ANSI 100 |
| 2 | 1 | 4" RIS. STEEL 0.2374 GRADE B, ANSI 100 |
| 3 | 1 | 4" RIS. STEEL 0.2374 GRADE B, ANSI 100 |
| 4 | 1 | 4" RIS. STEEL 0.2374 GRADE B, ANSI 100 |
| 5 | 1 | 4" RIS. STEEL 0.2374 GRADE B, ANSI 100 |
| 6 | 1 | 4" RIS. STEEL 0.2374 GRADE B, ANSI 100 |
| 7 | 1 | 4" RIS. STEEL 0.2374 GRADE B, ANSI 100 |
| 8 | 1 | 4" RIS. STEEL 0.2374 GRADE B, ANSI 100 |
| 9 | 1 | 4" RIS. STEEL 0.2374 GRADE B, ANSI 100 |
| 10 | 1 | 4" RIS. STEEL 0.2374 GRADE B, ANSI 100 |
| 11 | 1 | 4" RIS. STEEL 0.2374 GRADE B, ANSI 100 |
| 12 | 1 | 4" RIS. STEEL 0.2374 GRADE B, ANSI 100 |
| 13 | 1 | 4" RIS. STEEL 0.2374 GRADE B, ANSI 100 |
| 14 | 1 | 4" RIS. STEEL 0.2374 GRADE B, ANSI 100 |
| 15 | 1 | 4" RIS. STEEL 0.2374 GRADE B, ANSI 100 |
| 16 | 1 | 4" RIS. STEEL 0.2374 GRADE B, ANSI 100 |
| 17 | 1 | 4" RIS. STEEL 0.2374 GRADE B, ANSI 100 |
| 18 | 1 | 4" RIS. STEEL 0.2374 GRADE B, ANSI 100 |
| 19 | 1 | 4" RIS. STEEL 0.2374 GRADE B, ANSI 100 |
| 20 | 1 | 4" RIS. STEEL 0.2374 GRADE B, ANSI 100 |
| 21 | 1 | 4" RIS. STEEL 0.2374 GRADE B, ANSI 100 |
| 22 | 1 | 4" RIS. STEEL 0.2374 GRADE B, ANSI 100 |
| 23 | 1 | 4" RIS. STEEL 0.2374 GRADE B, ANSI 100 |
| 24 | 1 | 4" RIS. STEEL 0.2374 GRADE B, ANSI 100 |
| 25 | 1 | 4" RIS. STEEL 0.2374 GRADE B, ANSI 100 |
| 26 | 1 | 4" RIS. STEEL 0.2374 GRADE B, ANSI 100 |
| 27 | 1 | 4" RIS. STEEL 0.2374 GRADE B, ANSI 100 |
| 28 | 1 | 4" RIS. STEEL 0.2374 GRADE B, ANSI 100 |
| 29 | 1 | 4" RIS. STEEL 0.2374 GRADE B, ANSI 100 |
| 30 | 1 | 4" RIS. STEEL 0.2374 GRADE B, ANSI 100 |
| 31 | 1 | 4" RIS. STEEL 0.2374 GRADE B, ANSI 100 |
| 32 | 1 | 4" RIS. STEEL 0.2374 GRADE B, ANSI 100 |
| 33 | 1 | 4" RIS. STEEL 0.2374 GRADE B, ANSI 100 |
| 34 | 1 | 4" RIS. STEEL 0.2374 GRADE B, ANSI 100 |
| 35 | 1 | 4" RIS. STEEL 0.2374 GRADE B, ANSI 100 |
| 36 | 1 | 4" RIS. STEEL 0.2374 GRADE B, ANSI 100 |
| 37 | 1 | 4" RIS. STEEL 0.2374 GRADE B, ANSI 100 |
| 38 | 1 | 4" RIS. STEEL 0.2374 GRADE B, ANSI 100 |
| 39 | 1 | 4" RIS. STEEL 0.2374 GRADE B, ANSI 100 |
| 40 | 1 | 4" RIS. STEEL 0.2374 GRADE B, ANSI 100 |
| 41 | 1 | 4" RIS. STEEL 0.2374 GRADE B, ANSI 100 |
| 42 | 1 | 4" RIS. STEEL 0.2374 GRADE B, ANSI 100 |
| 43 | 1 | 4" RIS. STEEL 0.2374 GRADE B, ANSI 100 |
| 44 | 1 | 4" RIS. STEEL 0.2374 GRADE B, ANSI 100 |



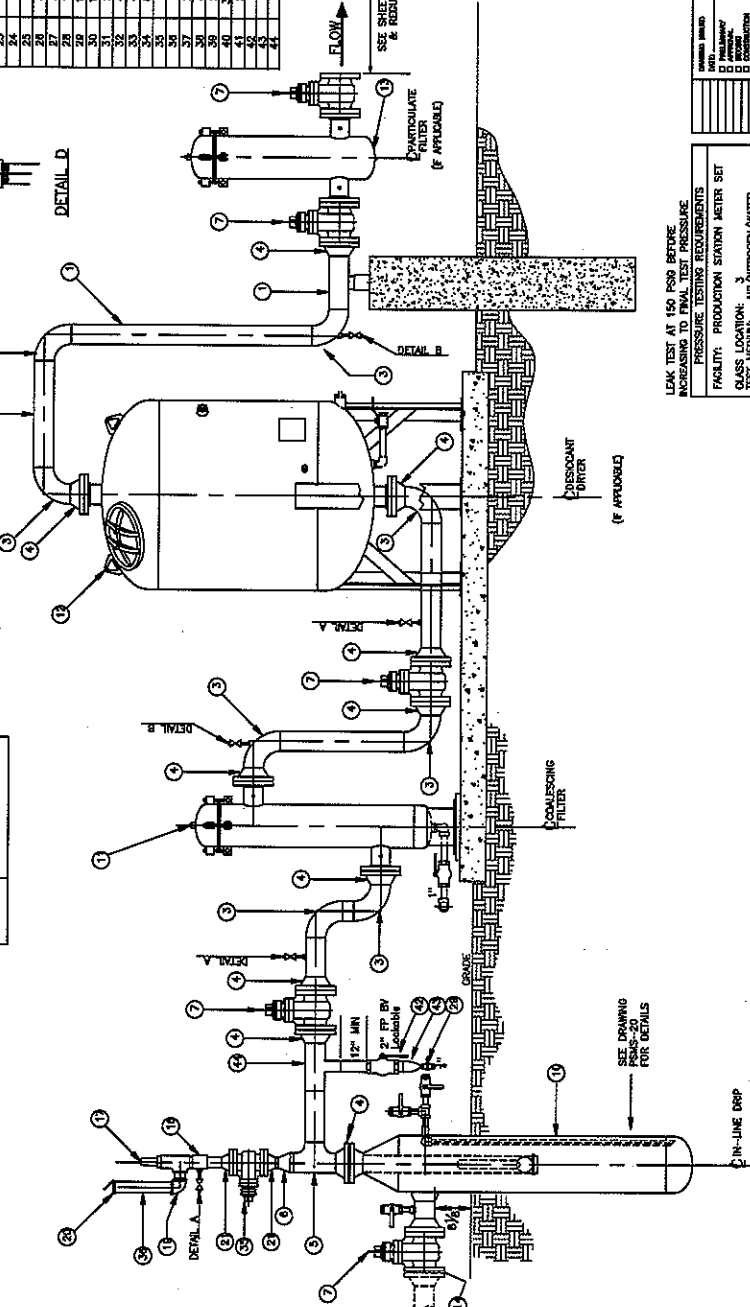
GENERAL NOTES:

1. INLET AND OUTLET FLANGES MUST BE ISOLATED
2. INLET AND OUTLET INSULATED PER PSMS-20
3. PRODUCTION SET TO BE INSTALLED PER DOMINION SPECIFICATIONS
4. SUFFICIENT PROTECTION DEVICES MUST BE CONSTRUCTED
5. LEAK TEST AFTER CONSTRUCTION PRIOR TO TUNK-ON
6. PRODUCTION SET TO BE PRESSURE TESTED PER DOMINION SPECIFICATIONS
7. INSULATION TO BE INSTALLED PER PSMS-20
8. MAINTAIN SUFFICIENT CLEARANCE AROUND WAREHOUSE
9. PRESSURE, INLET AND OUTLET FILTERS TO BE USED ONLY IF WITH INTERMEDIATE FLOW (PERMIT WELLS)
10. INSULATION RESISTOR PLATE PER DOMINION SPECIFICATIONS

| ITEM | RESISTOR EXIST-BURE |
|------|---------------------|
| 1 | |
| 2 | |
| 3 | |
| 4 | |
| 5 | |
| 6 | |
| 7 | |
| 8 | |
| 9 | |
| 10 | |
| 11 | |
| 12 | |
| 13 | |
| 14 | |
| 15 | |
| 16 | |
| 17 | |
| 18 | |
| 19 | |
| 20 | |
| 21 | |
| 22 | |
| 23 | |
| 24 | |
| 25 | |
| 26 | |
| 27 | |
| 28 | |
| 29 | |
| 30 | |
| 31 | |
| 32 | |
| 33 | |
| 34 | |
| 35 | |
| 36 | |
| 37 | |
| 38 | |
| 39 | |
| 40 | |
| 41 | |
| 42 | |
| 43 | |
| 44 | |

FABRICATION NOTES:

- 1) 1/2" INLET FOR PRESSURE TYP. (TYPICAL)
- 2) THROUGH WELLS FOR THE THROUGH WELLS
- 3) ALL FLANGE BOLT HOLES TO SPACED TO CENTER
- 4) ALL FITTING TO FITTING WELLS INCLUDE 1/2" ROOT BPT.



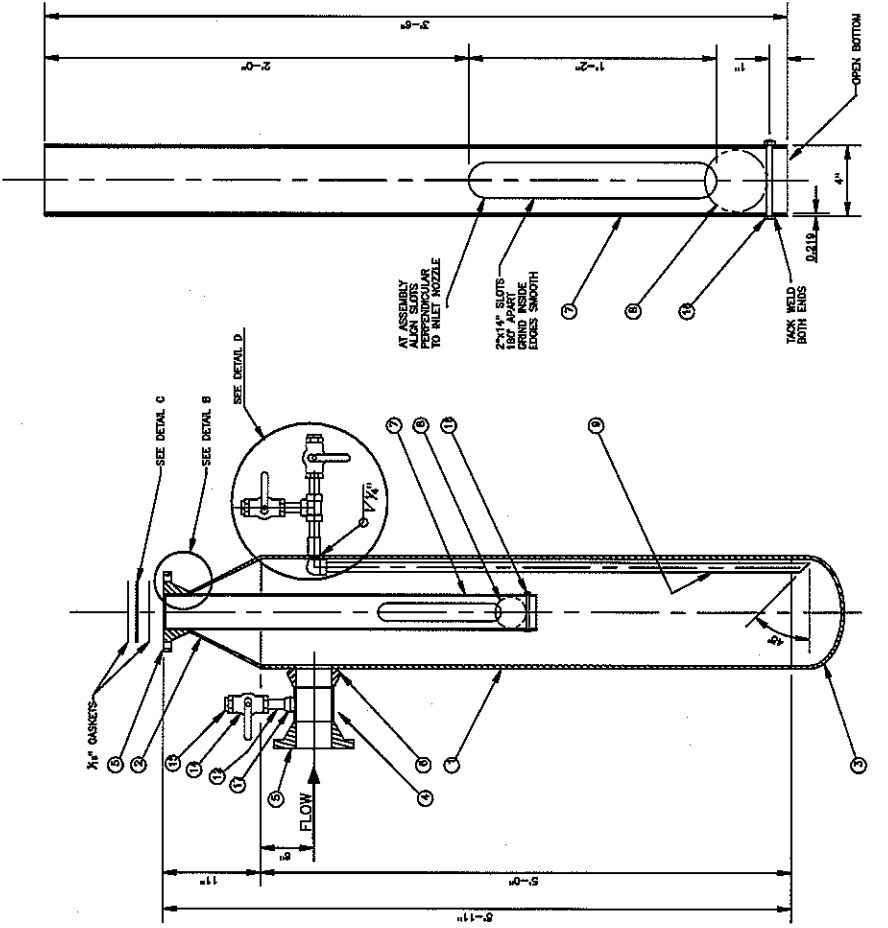
LEAK TEST AT 150 PSIG BEFORE
 PRODUCTION SET TO BE INSTALLED
 PRESSURE TESTING REQUIREMENTS
 CLASS: PRODUCTION STATION METER SET
 TEST MEDIUM: AIR
 TEST INSTRUCTION: MVT W/INSTRUMENT/WATER
 MAINT. 175 PSIG
 MAXIMUM TEST PRESSURE 270 PSIG
 MINIMUM TEST PRESSURE 400 PSIG
 ROOT: NOT REQUIRED

DOMINION

PRODUCTION STANDARD METER SET
 GENERAL ARRANGEMENT
 2" X 1/2" PSIG 5/7 ROTARY METER
 DRAWING PAGE 1 OF 2
 SCALE 1"=1'-0" 03/21/06
 PSMS-014

BILL OF MATERIAL FOR LINN OPERATING DRIP

| ITEM | QTY. | ITEM CODE | DESCRIPTION |
|------|------|-----------|--|
| 1 | 1 | 00127850 | 12" DRIP TANK, GRADE B |
| 2 | 1 | 00127850 | 12" WELD CAP, 0.375W, GRADE B |
| 3 | 1 | 00352699 | 4" PIPE, STEEL, 0.237W, GRADE B |
| 4 | 1 | 00347585 | 4" FLANGE, W/ RF, 0.237W, ANS 150 |
| 5 | 1 | NON-STOCK | WEDGLEY, FOR 12" PIPE, GRADE B |
| 6 | 1 | NON-STOCK | 3" BALL VALVE, 3000 W.P., W/ HANDLE |
| 7 | 1 | 00548342 | 3" PIPE, STEEL, 0.154W, 45 DEG. TAPER, 45 DEG. TAPER CUT OTHER END |
| 8 | 1 | 00267344 | 3" STREET ELBOW, W/ SCREWED, M. STD. |
| 9 | 1 | 00267462 | 3" FULL COUPLING, SCREWED, M. STD. |
| 10 | 1 | 00491535 | 3" NIPPLE, 3" L.G., TUBE, XS, GRADE B |
| 11 | 1 | 00491516 | 3" BALL VALVE, 3000 W.P., W/ HANDLE |
| 12 | 1 | 00598850 | 3" PIPE, FLG., STEEL, SQUARE HEAD, STD. |
| 13 | 1 | NON-STOCK | BOG, REG. HEAD, 3/4" DIA., 1/2" L.G., W/ 1/2" NUT |
| 14 | 1 | 00894312 | 3/4" THROU-DRUG, 3000W, STD. STATUS, THIS 3/4" 3/8" PIPE |



SECTION THROUGH DRIP

DETAIL A
FLAT BALL GUIDE
SCALE: 2"=1'-0"

DETAIL D
VENT AND BLEED
SCALE: 1/2"=1'-0"

DETAIL B
FLAT BALL GUIDE
& FLANGE JOINT
SCALE: 4"=1'-0"

DETAIL C
VALVE SEAT PLATE
SCALE: 3"=1'-0"

NOTE: FOR SOCKET WELDS LEAVE 1/16" GAP BETWEEN PIPE & FITTING OR VALVE

NOTE: DESIGNED TO DOT PART 192, ASME CODE STAMP IF REQUIRED BY LOCAL, STATE, OR OTHER JURISDICTION

LEAK TEST AT 250 PSIG BEFORE INCREASING TO FINAL TEST PRESSURE

PRESSURE TESTING REQUIREMENTS
FACILITY: 12" DRIP Tank - ANSI 150
CLASS: PRESSURE
TEST MEDIUM: AIR/NITROGEN/WATER
MAX. DRIP PRESS: 1 PSI
MINIMUM TEST PRESSURE: 450 PSIG
MAXIMUM TEST PRESSURE: 600 PSIG
PUB. TEST REQUIRED

DOMINION
PRODUCTION STATION METER SET
POSITION: SHUT-OFF DRIP TANK
TEST PRESSURE: 450 PSIG
12" DRIP TANK & BALL VALVE
SCALE: 1"=1'-0"

The design of this project is the responsibility of the engineer of record. The engineer of record shall be responsible for the design, construction, and operation of the project. The engineer of record shall be responsible for the design, construction, and operation of the project.

PSNMS-020