

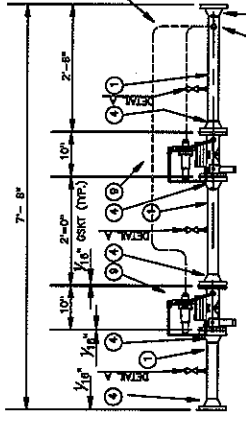
1) ALL FABRICATION SHALL BE IN ACCORDANCE WITH THE REQUIREMENTS OF THE ASME CODE FOR UNIFORMED PRESSURE VESSELS, SECTION VIII, DIVISION 1, PART UG-110, AND SHALL BE SUBJECT TO THE REQUIREMENTS OF THE ASME CODE FOR UNIFORMED PRESSURE VESSELS, SECTION VIII, DIVISION 1, PART UG-110, AND SHALL BE SUBJECT TO THE REQUIREMENTS OF THE ASME CODE FOR UNIFORMED PRESSURE VESSELS, SECTION VIII, DIVISION 1, PART UG-110.

**GENERAL NOTES:**

1. INLET AND OUTLET FRAMES MUST BE INSULATED.
2. USNG RANGE INSULATING RATE.
3. INLET AND OUTLET ROSS TO BE INSTALLED AS ABOVE.
4. PRODUCTION SET TO BE INSTALLED PER DOMINION SPECIFICATIONS.
5. SUPPORT PROTECTION DEVICES MUST BE CONSTRUCTED.
6. LEAK TEST AFTER CONSTRUCTION OF THIS UNIT, INCLUDING ETC.
7. TO BE INSTALLED PER DOMINION SPECIFICATIONS.
8. PRODUCTION SET TO BE INSTALLED PER DOMINION SPECIFICATIONS.
9. WARRIOR SUITABILITY CLEARANCE AROUND MATERIALS.
10. DESSONANT FILTER AND PARTICULATE FILTER TO BE USED ONLY IF WITH INTERMITTENT FLOW (SMART BELLS).

**FABRICATION NOTES:**

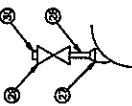
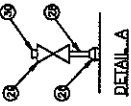
- 1) HELL 1/4" HOLES FOR PRESSURE TAPS (TYPICAL).
- 2) HELL 1/4" HOLES FOR 1/4" THERMOWELLS.
- 3) THERMOWELLS TO BE CENTERED ON HALL.
- 4) ALL TAPPING TO FITTING WELDS INCLUDE 1/4" ROOT GAP.



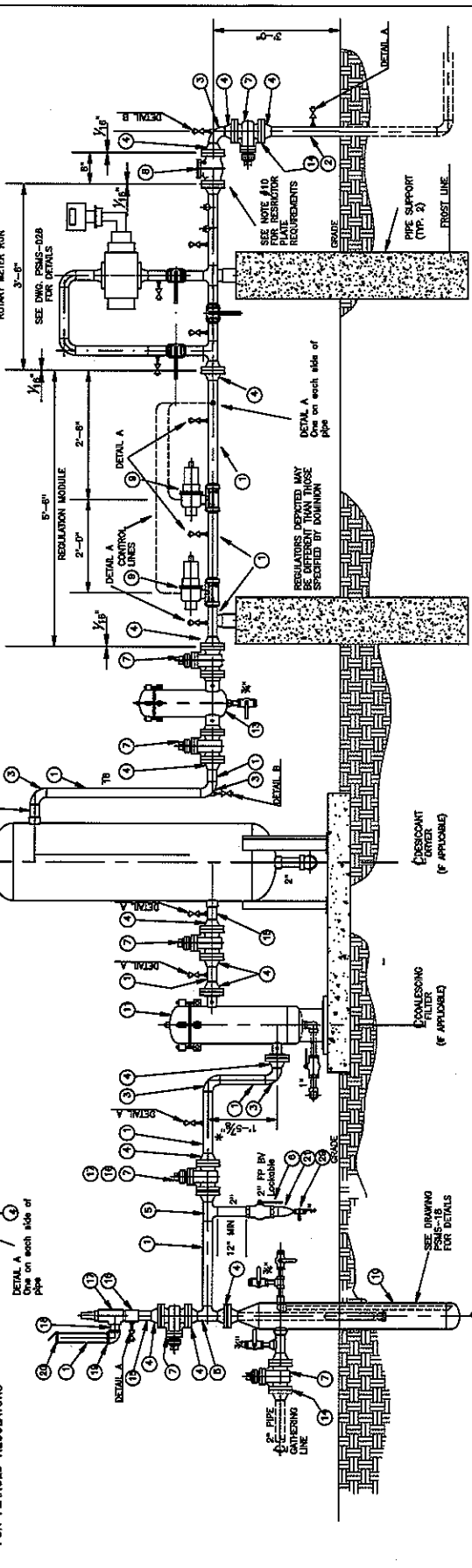
METER	RESTRICTOR PLATE BASE
110	31/4"
150	3/4"
200	7/16"
300	17/16"

Recommended Regulators	
Item 15	Kinney Fisher 827M or 827HM
Item 16	Kinney Fisher 827 or 827H
	Mooney

ITEM	QTY.	ITEM CODE	DESCRIPTION
1	10		2" PIPE, STEEL, GRADE B, BAR
2	10		2" PIPE, STEEL, GRADE B, BAR
3	10		2" PIPE, STEEL, GRADE B, BAR
4	10		2" PIPE, STEEL, GRADE B, BAR
5	10		2" PIPE, STEEL, GRADE B, BAR
6	10		2" PIPE, STEEL, GRADE B, BAR
7	10		2" PIPE, STEEL, GRADE B, BAR
8	10		2" PIPE, STEEL, GRADE B, BAR
9	10		2" PIPE, STEEL, GRADE B, BAR
10	10		2" PIPE, STEEL, GRADE B, BAR
11	10		2" PIPE, STEEL, GRADE B, BAR
12	10		2" PIPE, STEEL, GRADE B, BAR
13	10		2" PIPE, STEEL, GRADE B, BAR
14	10		2" PIPE, STEEL, GRADE B, BAR
15	10		2" PIPE, STEEL, GRADE B, BAR
16	10		2" PIPE, STEEL, GRADE B, BAR
17	10		2" PIPE, STEEL, GRADE B, BAR
18	10		2" PIPE, STEEL, GRADE B, BAR
19	10		2" PIPE, STEEL, GRADE B, BAR
20	10		2" PIPE, STEEL, GRADE B, BAR
21	10		2" PIPE, STEEL, GRADE B, BAR
22	10		2" PIPE, STEEL, GRADE B, BAR
23	10		2" PIPE, STEEL, GRADE B, BAR
24	10		2" PIPE, STEEL, GRADE B, BAR
25	10		2" PIPE, STEEL, GRADE B, BAR
26	10		2" PIPE, STEEL, GRADE B, BAR
27	10		2" PIPE, STEEL, GRADE B, BAR
28	10		2" PIPE, STEEL, GRADE B, BAR
29	10		2" PIPE, STEEL, GRADE B, BAR
30	10		2" PIPE, STEEL, GRADE B, BAR
31	10		2" PIPE, STEEL, GRADE B, BAR
32	10		2" PIPE, STEEL, GRADE B, BAR
33	10		2" PIPE, STEEL, GRADE B, BAR
34	10		2" PIPE, STEEL, GRADE B, BAR
35	10		2" PIPE, STEEL, GRADE B, BAR
36	10		2" PIPE, STEEL, GRADE B, BAR
37	10		2" PIPE, STEEL, GRADE B, BAR
38	10		2" PIPE, STEEL, GRADE B, BAR
39	10		2" PIPE, STEEL, GRADE B, BAR
40	10		2" PIPE, STEEL, GRADE B, BAR
41	10		2" PIPE, STEEL, GRADE B, BAR
42	10		2" PIPE, STEEL, GRADE B, BAR
43	10		2" PIPE, STEEL, GRADE B, BAR
44	10		2" PIPE, STEEL, GRADE B, BAR
45	10		2" PIPE, STEEL, GRADE B, BAR
46	10		2" PIPE, STEEL, GRADE B, BAR
47	10		2" PIPE, STEEL, GRADE B, BAR
48	10		2" PIPE, STEEL, GRADE B, BAR
49	10		2" PIPE, STEEL, GRADE B, BAR
50	10		2" PIPE, STEEL, GRADE B, BAR
51	10		2" PIPE, STEEL, GRADE B, BAR
52	10		2" PIPE, STEEL, GRADE B, BAR
53	10		2" PIPE, STEEL, GRADE B, BAR
54	10		2" PIPE, STEEL, GRADE B, BAR
55	10		2" PIPE, STEEL, GRADE B, BAR
56	10		2" PIPE, STEEL, GRADE B, BAR
57	10		2" PIPE, STEEL, GRADE B, BAR
58	10		2" PIPE, STEEL, GRADE B, BAR
59	10		2" PIPE, STEEL, GRADE B, BAR
60	10		2" PIPE, STEEL, GRADE B, BAR
61	10		2" PIPE, STEEL, GRADE B, BAR
62	10		2" PIPE, STEEL, GRADE B, BAR
63	10		2" PIPE, STEEL, GRADE B, BAR
64	10		2" PIPE, STEEL, GRADE B, BAR
65	10		2" PIPE, STEEL, GRADE B, BAR
66	10		2" PIPE, STEEL, GRADE B, BAR
67	10		2" PIPE, STEEL, GRADE B, BAR
68	10		2" PIPE, STEEL, GRADE B, BAR
69	10		2" PIPE, STEEL, GRADE B, BAR
70	10		2" PIPE, STEEL, GRADE B, BAR
71	10		2" PIPE, STEEL, GRADE B, BAR
72	10		2" PIPE, STEEL, GRADE B, BAR
73	10		2" PIPE, STEEL, GRADE B, BAR
74	10		2" PIPE, STEEL, GRADE B, BAR
75	10		2" PIPE, STEEL, GRADE B, BAR
76	10		2" PIPE, STEEL, GRADE B, BAR
77	10		2" PIPE, STEEL, GRADE B, BAR
78	10		2" PIPE, STEEL, GRADE B, BAR
79	10		2" PIPE, STEEL, GRADE B, BAR
80	10		2" PIPE, STEEL, GRADE B, BAR
81	10		2" PIPE, STEEL, GRADE B, BAR
82	10		2" PIPE, STEEL, GRADE B, BAR
83	10		2" PIPE, STEEL, GRADE B, BAR
84	10		2" PIPE, STEEL, GRADE B, BAR
85	10		2" PIPE, STEEL, GRADE B, BAR
86	10		2" PIPE, STEEL, GRADE B, BAR
87	10		2" PIPE, STEEL, GRADE B, BAR
88	10		2" PIPE, STEEL, GRADE B, BAR
89	10		2" PIPE, STEEL, GRADE B, BAR
90	10		2" PIPE, STEEL, GRADE B, BAR
91	10		2" PIPE, STEEL, GRADE B, BAR
92	10		2" PIPE, STEEL, GRADE B, BAR
93	10		2" PIPE, STEEL, GRADE B, BAR
94	10		2" PIPE, STEEL, GRADE B, BAR
95	10		2" PIPE, STEEL, GRADE B, BAR
96	10		2" PIPE, STEEL, GRADE B, BAR
97	10		2" PIPE, STEEL, GRADE B, BAR
98	10		2" PIPE, STEEL, GRADE B, BAR
99	10		2" PIPE, STEEL, GRADE B, BAR
100	10		2" PIPE, STEEL, GRADE B, BAR



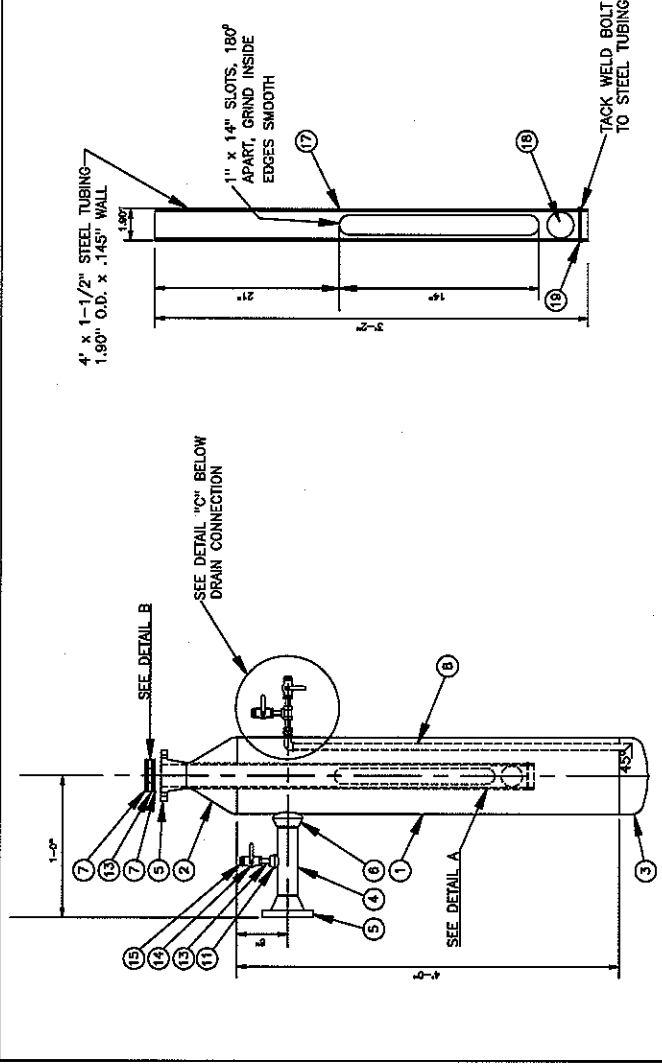
**ALTERNATE REGULATOR CONFIGURATION FOR FLANGED REGULATORS**



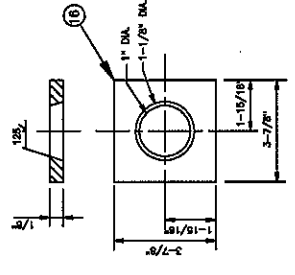
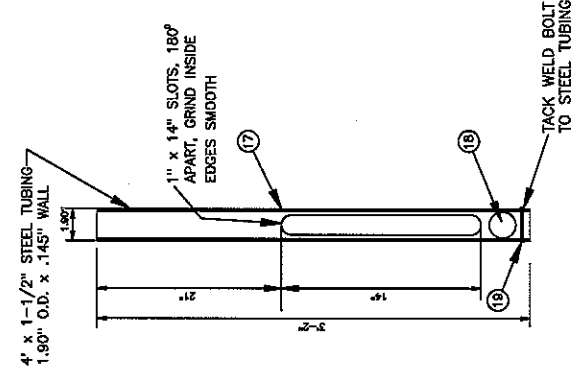
<p>CLASSIFICATION: PRODUCTION STATION METER SET</p> <p>TEST MEDIUM: AIR/NITROGEN/WATER</p> <p>TEST PRESSURE: 150 PSIG</p> <p>MINIMUM TEST PRESSURE: 270 PSIG</p> <p>MAXIMUM TEST PRESSURE: 400 PSIG</p> <p>LEAK TEST AT 150 PSIG BEFORE INCREASING TO FINAL TEST PRESSURE</p>		<p>SCALE: 1-10 04/05/05</p> <p>PSIMS-030</p>
<p>DOMINION</p> <p>PRODUCTION STATION METER SET</p> <p>1/4\"/&gt; </p>		<p>SCALE: 1-10 04/05/05</p> <p>PSIMS-030</p>



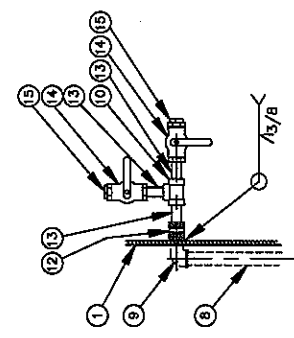
Item	Qty	Item Code	Description
1	4	C0355157	6" Std. Pipe, Sch 40, Gr. B, Seamless, .280w
2	1	C0821131	6"x 2" Reducer, Conc., .280w x .218w, Gr. B
3	1	C0127750	6" Cap, Weld, .280w, Gr. B
4	1	NON-STOCK	2" Nipple, 6" Long, Steel, A53, TOE
5	2	C0348840	2" Flange, ANSI 150, WNF, Gr. B, RF, .218w
6	1	C0894391	2" Threadolet, STL, 3000#, SA234WPB, SA105, FITS 6" PIPE
7	2	C0370652	2" Gasket, 1 1/16" Thk, 150 ANSI RF, Non-Asbestos
8	3	C0548357	3/4" Pipe, Steel, Gr. B, Sch. 80, 3'-0" Lg., TOE
9	1	C0289848	3/4" Ell. Street, Steel, Sch. 80, 3000#
10	1	C0739121	3/4" Tee, Steel, 3000#, SA105
11	1	C0894309	3/4" Threadolet, Steel, 3000#, SA105, Fits 2" Pipe
12	1	C0237926	3/4" Coupling, Full, Forged Steel, 6000#, SA105
13	4	C0491535	3/4" Nipple, XH, Seamless, 3" Lg., A106, SMLS, TBE
14	3	C0912990	3/4" Valve, Ball, STEEL, 1500# WOG, W/ WRENCH
15	3	C0589880	3/4" Plug, Steel, 3000#, SQ Head, SA105
16	1	NON-STOCK	Valve Seat Plates, Steel (See Detail B)
17	1	NON-STOCK	1-1/2" Ball Float Guide Tube, 1.9" O.D. x .145" W
18	1	NON-STOCK	1-1/2" Float Ball, Polypropylene (1-1/2" Dia.)
19	1	NON-STOCK	5/16" x 2-1/4" Bolt w/ Hex Nut



**DETAIL A**  
FLOAT BALL GUIDE TUBE



**DETAIL B**  
VALVE SEAT PLATE



**DETAIL C**  
DRAIN CONNECTION

NOTE: FOR SOCKET WELDS LEAVE 1/16" GAP BETWEEN PIPE & FITTING OR VALVE

NOTE: REQUIRED TO DOT PART 192, ASME CODE STAMP IF REQUIRED BY LOCAL, STATE, OR OTHER JURISDICTION

LEAK TEST AT 200 PSIG BEFORE INCREASING TO FINAL TEST PRESSURE

PRESSURE TESTING REQUIREMENTS

FACILITY:	6" Drip Tank - ANSI 150
DESIGN PRESSURE:	3
TEST MEDIUM:	AIR / NITROGEN / WATER
TEST DURATION:	1 HOUR
MANUAL TEST PRESSURE:	200 PSIG
HYDRO TEST PRESSURE:	450 PSIG
MANUAL TEST PRESSURE:	575 PSIG
NOTE:	NOT RECD

DESIGNER:	DATE:
CHECKED:	DATE:
APPROVED:	DATE:
PROJECT:	DATE:
SCALE:	DATE:
<b>DOMINION</b>	
PRODUCTION STATION METER SET	
POSITION: SHUT-OFF DRAIN TANK	
SCALE: 1" = 1'-0" (SEE 15-200)	
PROJECT NO.: 15-200	
DATE: 10-10-2000	
DRAWN BY: J. BOCK	
PROJECT NO.: PMS-018	

The design is the property of Dominion Energy. It is intended for use only in the Dominion Energy system. It is not to be used for any other purpose without the written permission of Dominion Energy.